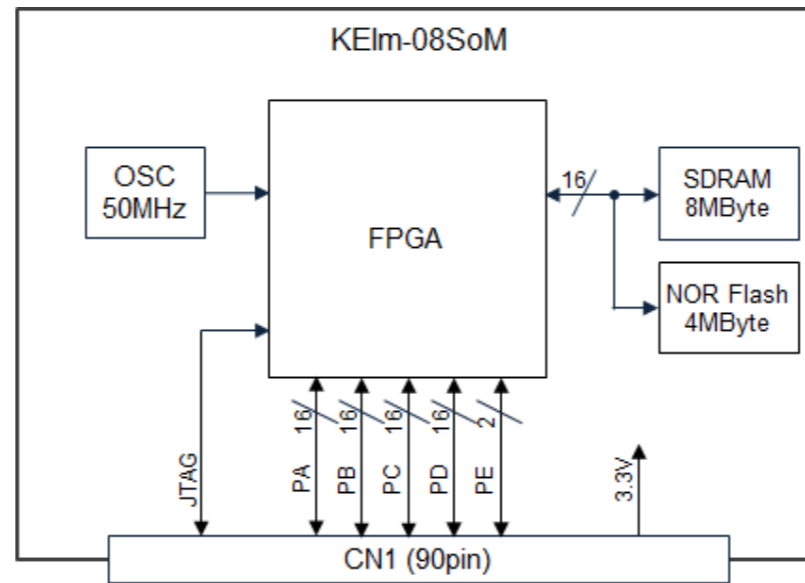


KEIm-08SoM

REV	DATE	PAGES	DESCRIPTION
1.0.0	Aug/24/2015	All	INITIAL REVISION RELEASE
1.1.0	Jan/29/2016	All	MP REVISION RELEASE

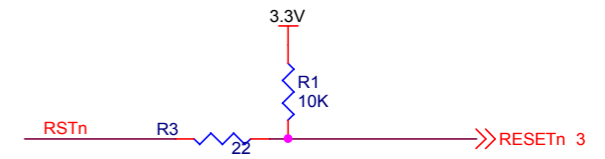
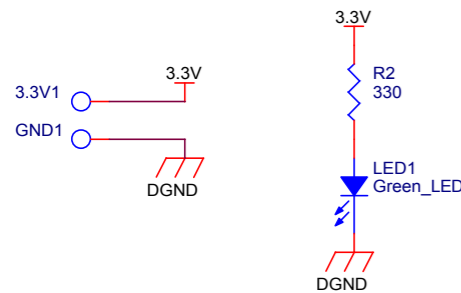
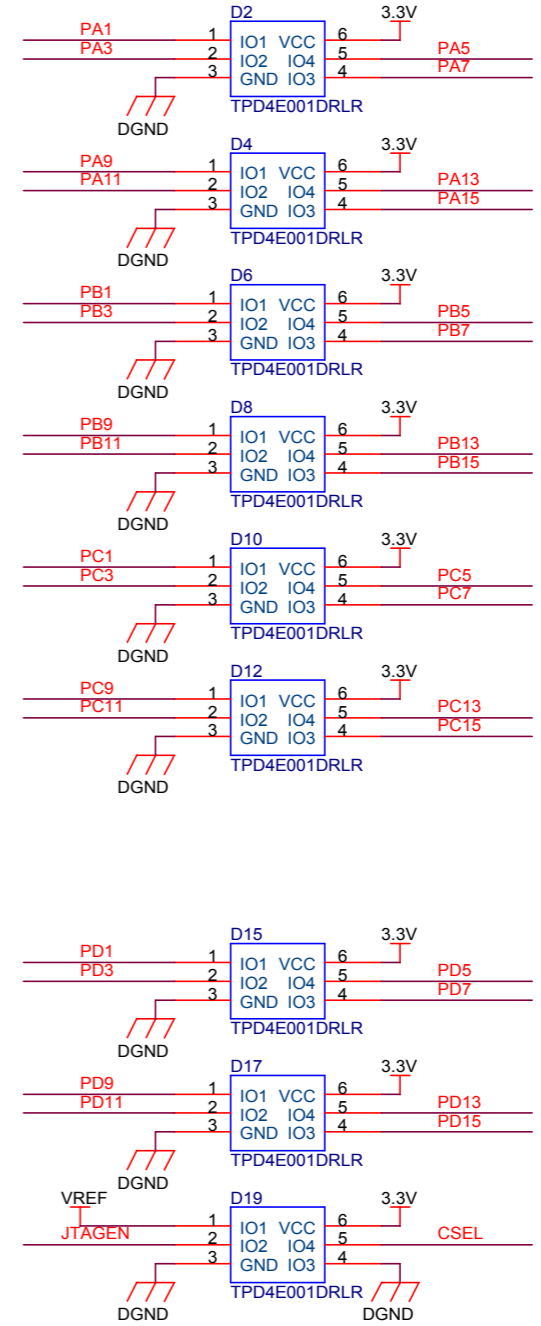
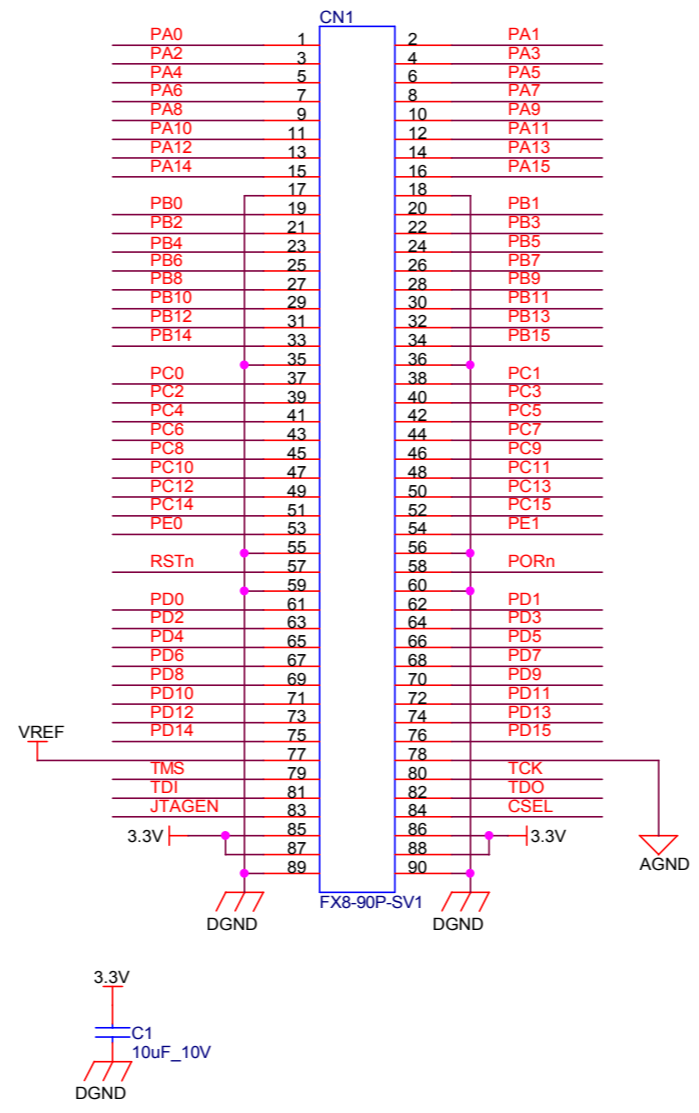
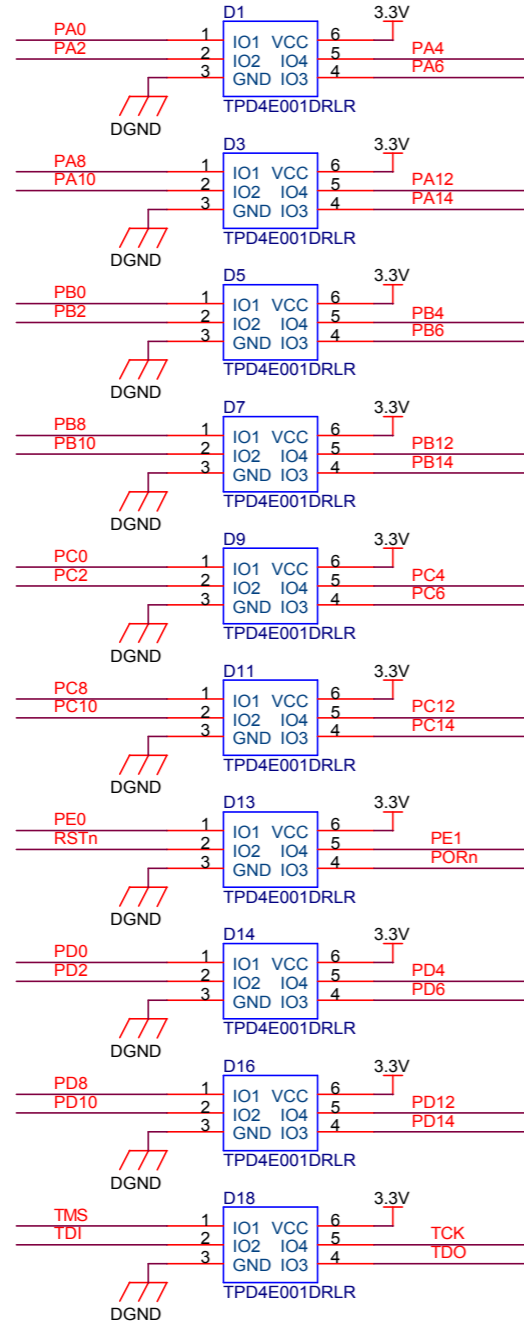


PAGE	DESCRIPTION
1	Block Diagram, History
2	Connector
3	FPGA
4	SDRAM, Flash

Connector

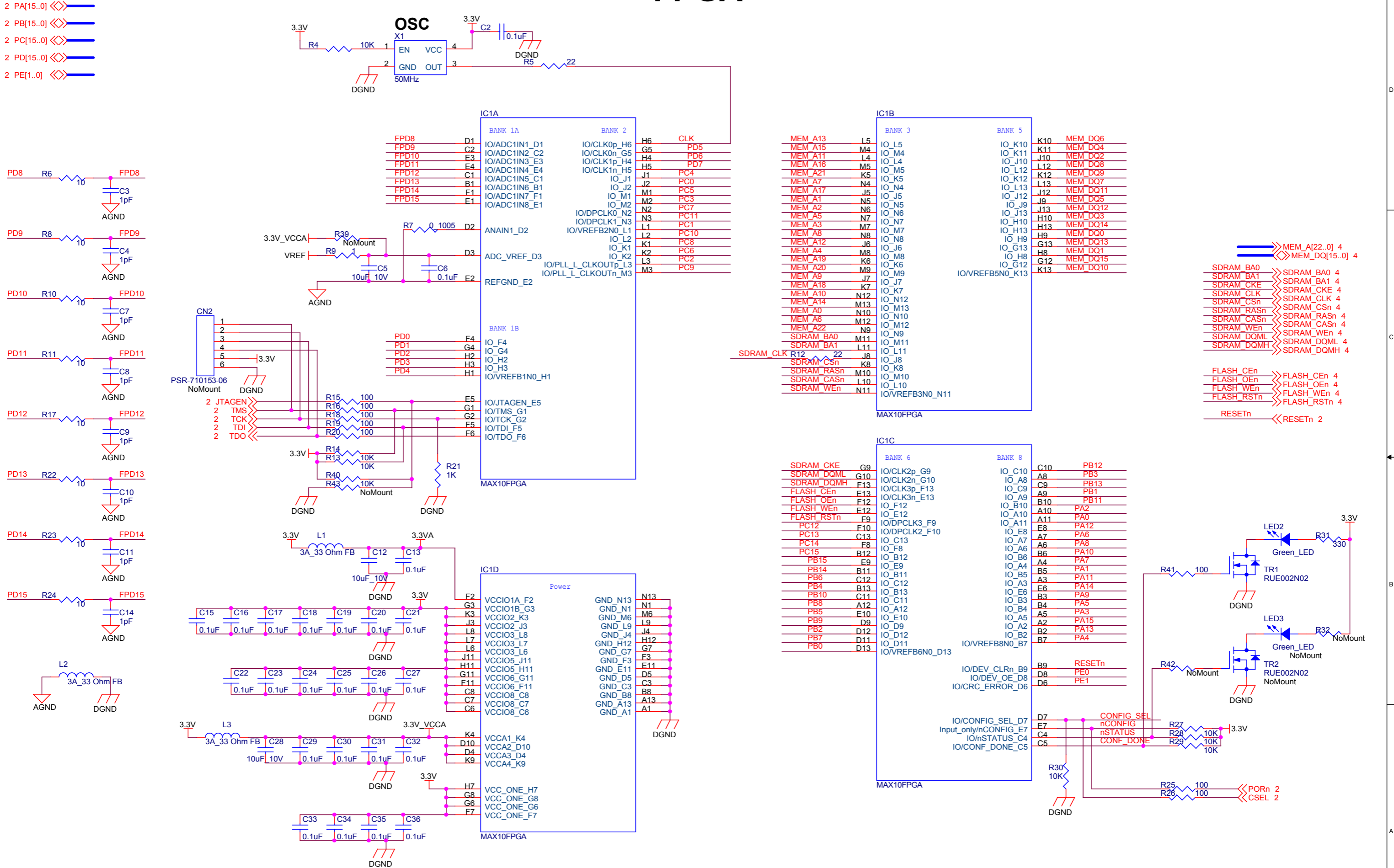
3 PA[15..0] <<>
 3 PB[15..0] <<>
 3 PC[15..0] <<>
 3 PD[15..0] <<>
 3 PE[1..0] <<>

3 TMS <<>
 3 TCK <<>
 3 TDI <<>
 3 TDO <<>
 3 JTAGEN <<>
 3 CSEL <<>
 3 PORn <<>



KONDO ELECTRONICS INDUSTRY CO., LTD.		
Title	Connector	
Size	Document Number	Rev
A3	KEIM-08C-R10	1.1.0
Date:	Friday, January 29, 2016	Sheet 2 of 4

FPGA



SDRAM, Flash

