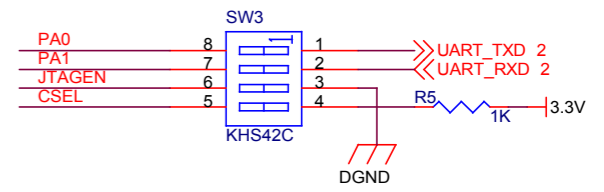
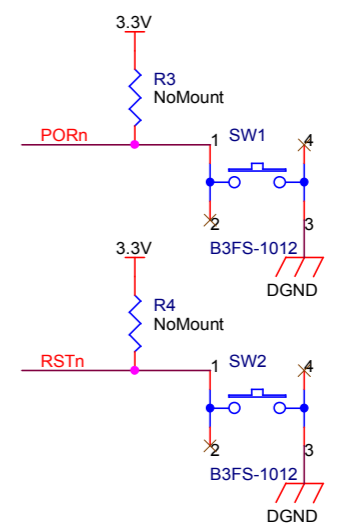
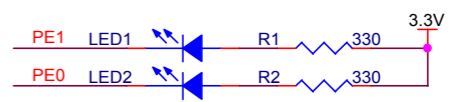
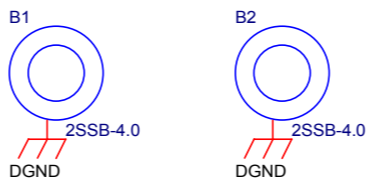
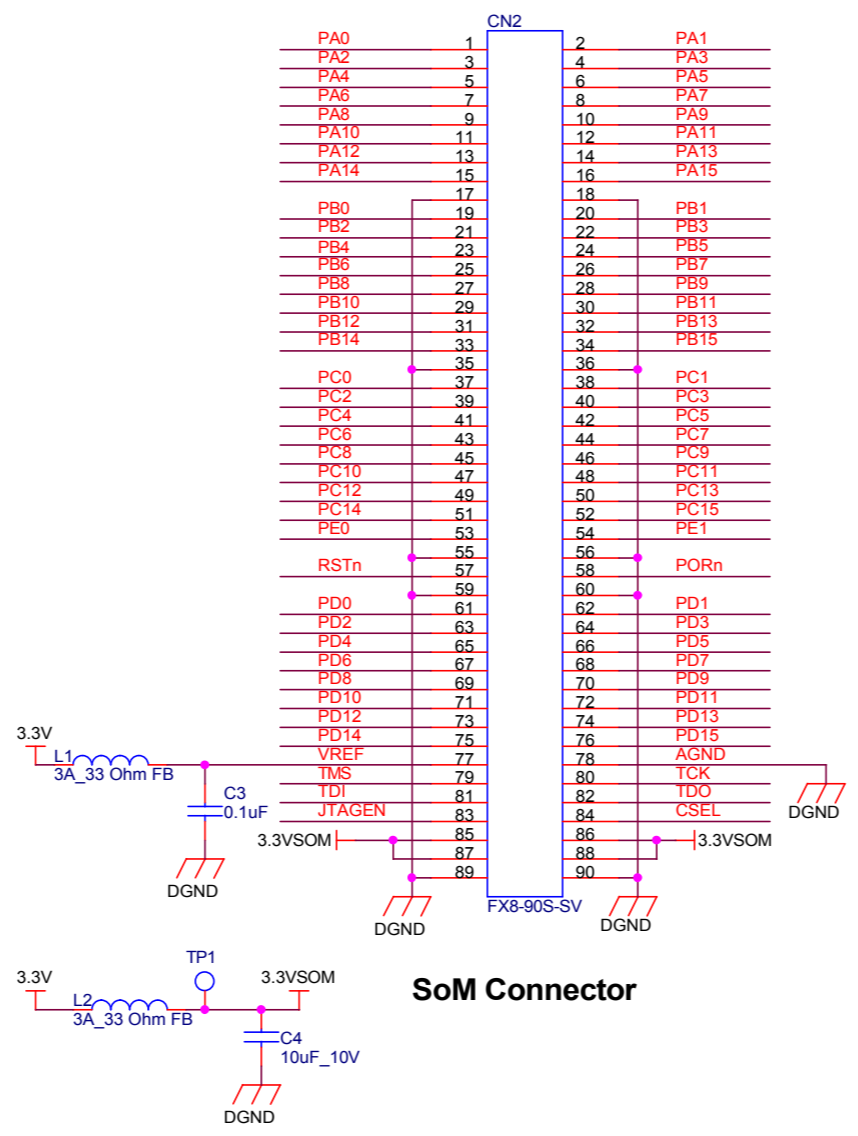
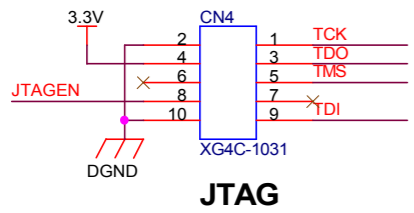
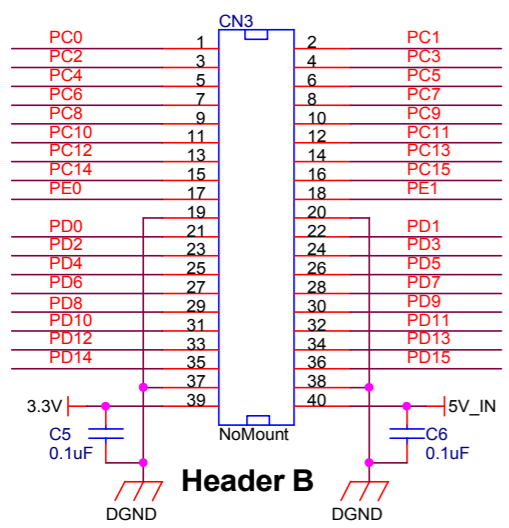
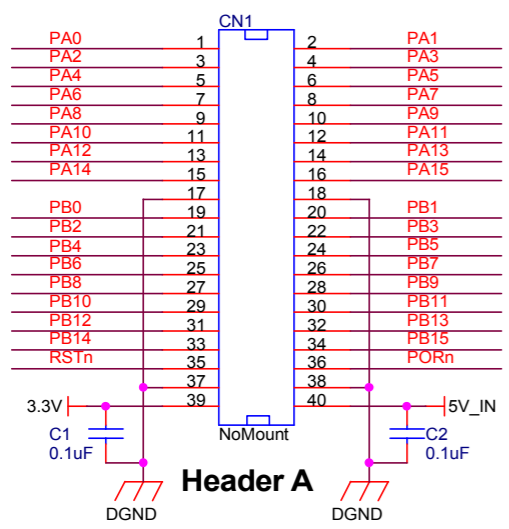


KEIm Header Board

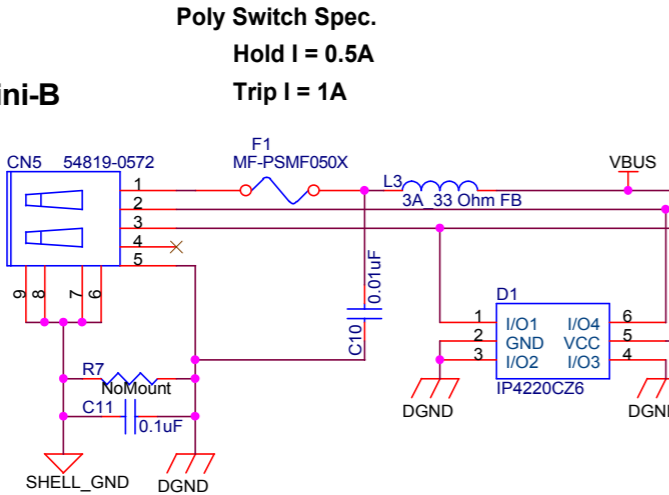
REV	DATE	PAGES	DESCRIPTION
1.0.0	Mar/22/2016	All	INITIAL REVISION RELEASE



SW3	ON	OFF
1	TXD Enable	Disable
2	RXD Enable	Disable
3	JTAG Disable	Enable
4	Config select1	select0

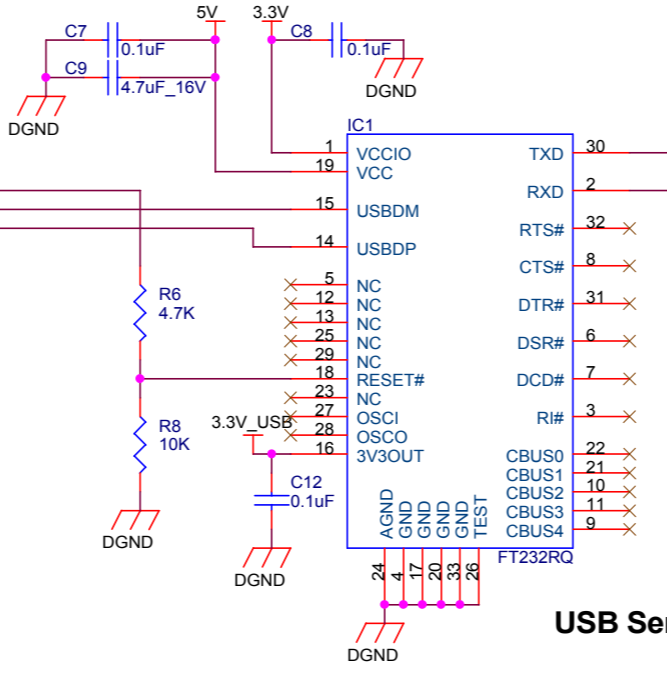
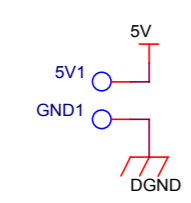
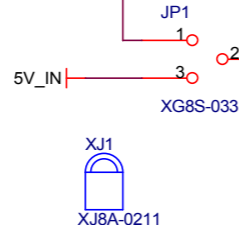
USB mini-B

- 1 VBUS
- 2 D-
- 3 D+
- 4 ID
- 5 GND

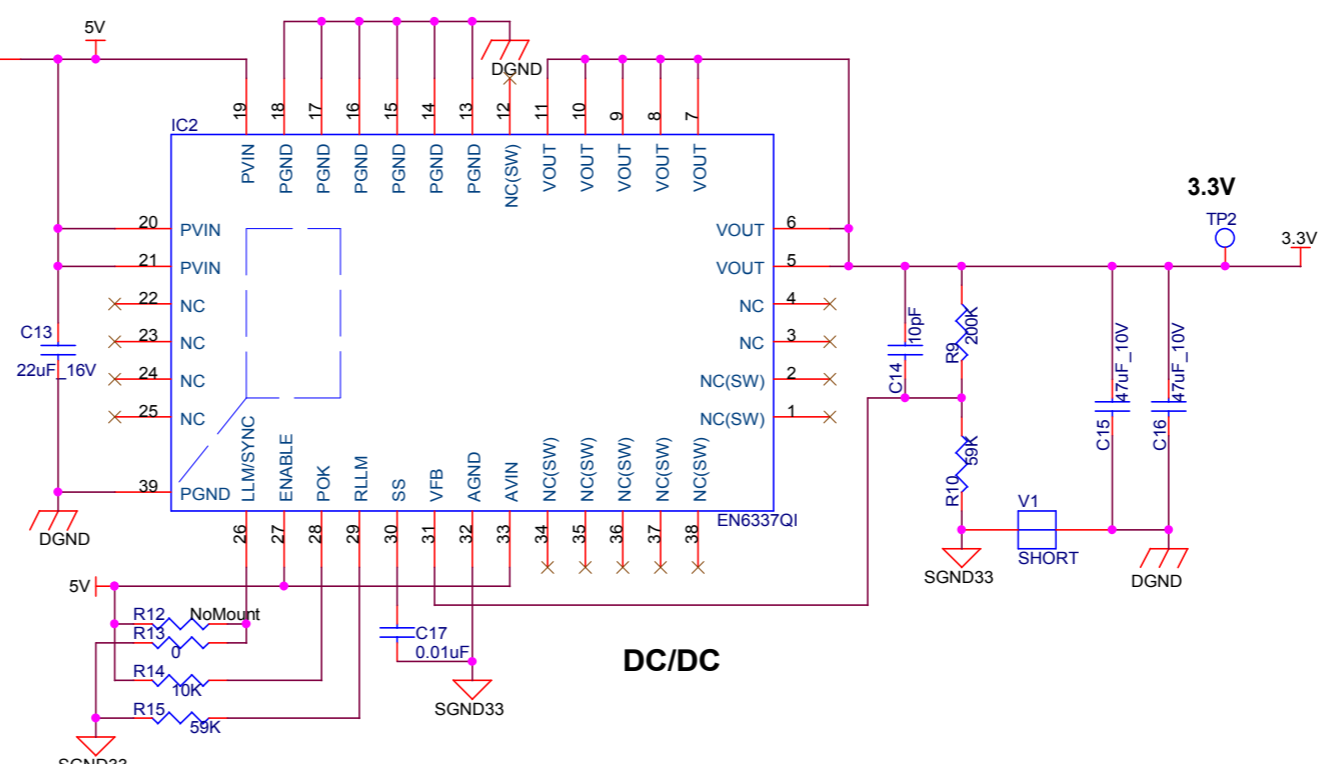


Poly Switch Spec.
Hold I = 0.5A
Trip I = 1A

JP1	PVIN
(1-2)	VBUS
(2-3)	5V_IN



USB Serial



DC/DC